



Ventilation Equipment
304 S/S Wall Hood+Filters
1200X900mm

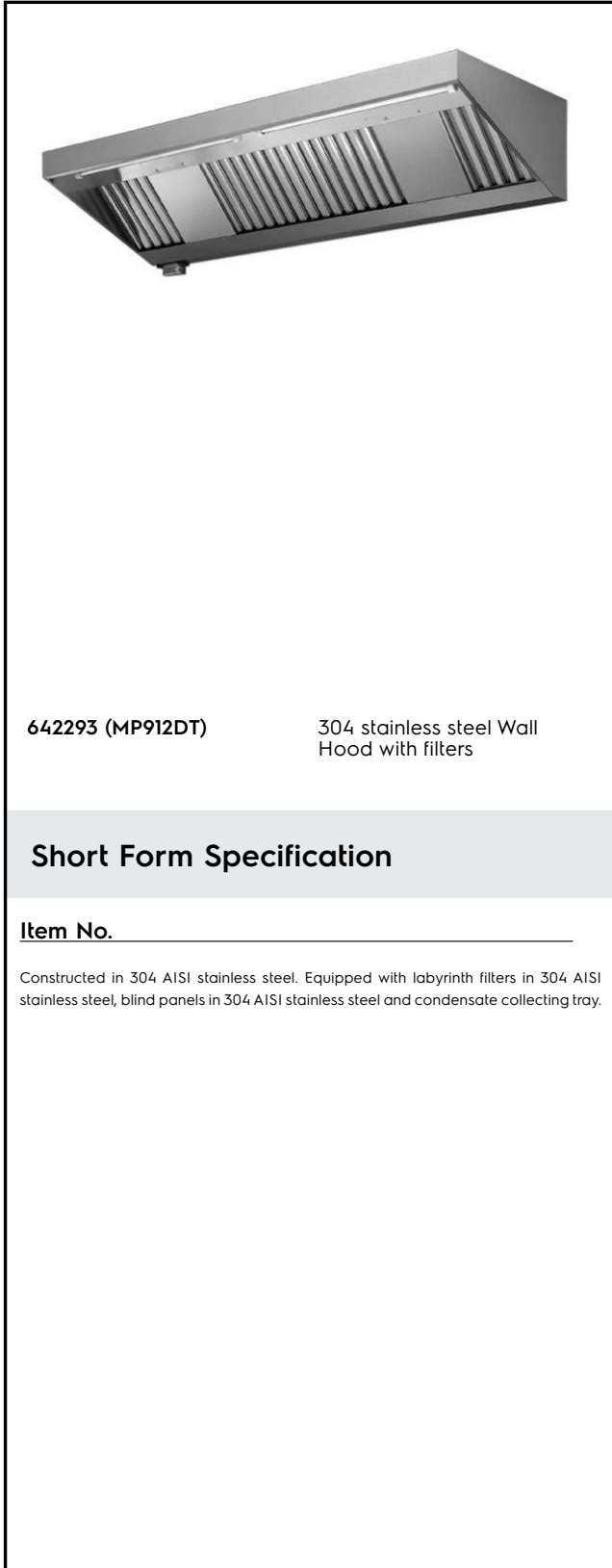
ITEM # _____

MODEL # _____

NAME # _____

SIS # _____

AIA # _____



642293 (MP912DT)

304 stainless steel Wall Hood with filters

Short Form Specification

Item No. _____

Constructed in 304 AISI stainless steel. Equipped with labyrinth filters in 304 AISI stainless steel, blind panels in 304 AISI stainless steel and condensate collecting tray.

Main Features

- External panels with upturned edges to avoid injuries.
- Prearranged for installation of lighting.
- Low noise level.

Construction

- Eyebolts and screw anchors for ceiling installation.
- Back drain pipe with drain hole to transfer grease into a 304 AISI container.
- 304 AISI stainless steel condensation collection tray.
- Labyrinth filters guarantee constant filtration to avoid clogging and to protect against fire.
- 304 AISI stainless steel blind panels for a correct exhaustion.
- Outlet holes are sized in order to minimize drops in pressure.
- Entirely constructed in 304 AISI stainless steel.
- 304 AISI stainless steel labyrinth filters easily removable for cleaning.

Included Accessories

- 2 of 304 Stainless steel labyrinth filter (h=500 mm) PNC 640052

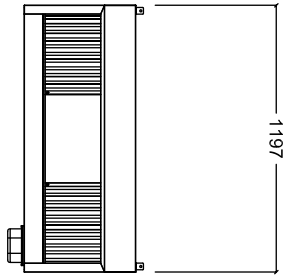
Optional Accessories

- Speed Variator for motors up to 1,17 kW PNC 640076
- Drain for hoods, diam.1/2" (m), with plug PNC 640409

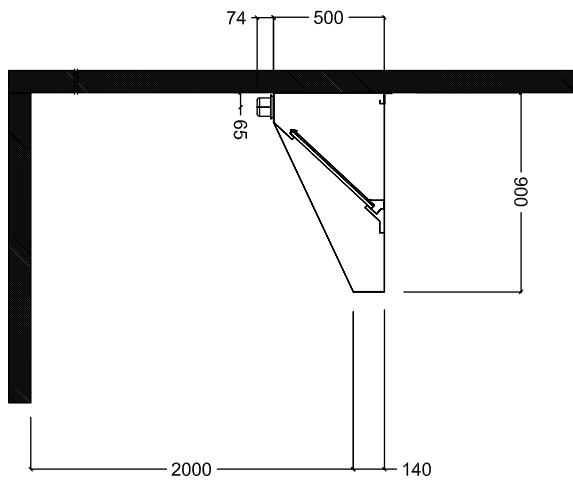
APPROVAL: _____



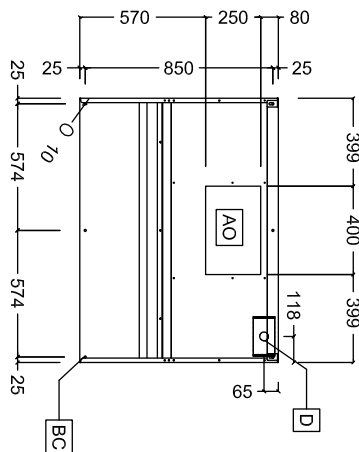
Front



Side



Top


Key Information:
External dimensions, Width:

642293 (MP912DT) 1200 mm

External dimensions, Depth: 900 mm

External dimensions, Height: 500 mm

Net weight: 23 kg

Air Emission:
Air capacity: 1200 mc/h